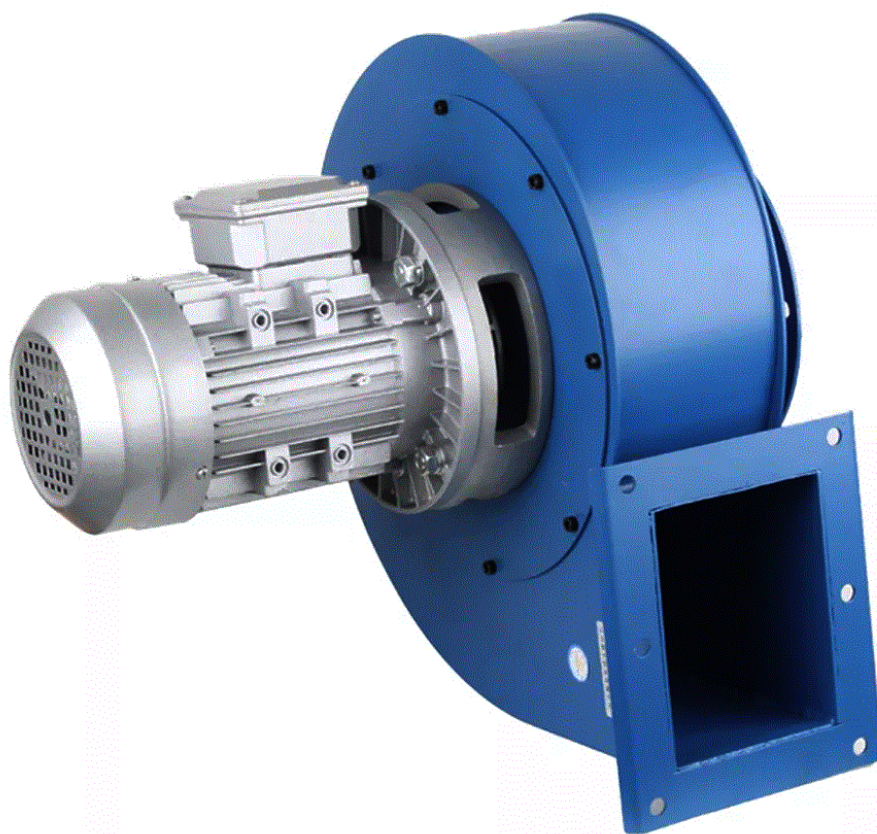


Ventilatori per alte temperature fino al 300° C

Alta prevalenza, per una aspirazione garantita anche con tubazioni strette



ETC Group S.r.l



MADE IN ITALY

New



Ventilatore per alte temperature fino al 300° C

Alta prevalenza,
per una aspirazione garantita anche con tubazioni strette

Due taglie

- 1.800 mc/h con 750 pascal - 0,75 kw
- 3.100 mc/h con 1280 pascal - 2,2 kw

ADVANTAGE



LOW NOISE



CONSISTENT WIND SPEED



ECO-FRIENDLY



LOW-ENERGY



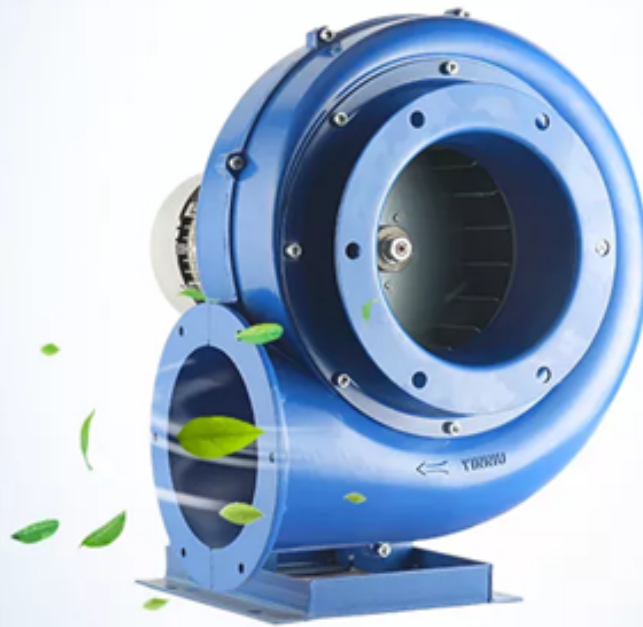
HIGH TEMPERATURE RESISTENT



COPPER MOTOR

YNGL HIGH TEMPERATURE INDUCED DRAFT FAN

Specialized In the production of high-temperature resistance blower.



ADVANTAGE



LOW NOISE



CONSISTENT WIND SPEED



ECO-FRIENDLY



LOW-ENERGY



HIGH TEMPERATURE RESISTENT



COPPER MOTOR

LARGE DIAMETER AIR OUTLET

High wind pressure, strong wind, fast wind



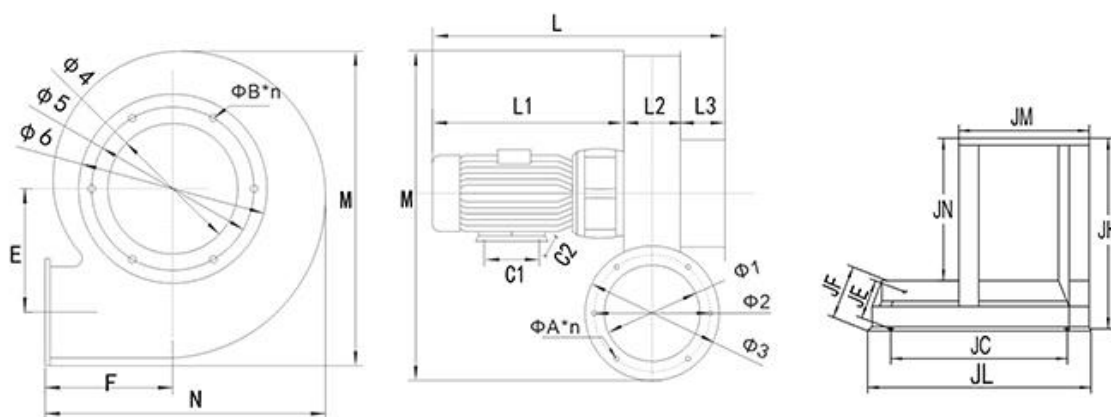
Modello	Potenza Kw	Volt V	Frequenza Hz	Velocità r/min	Portata d'aria mc/h	Prevalenza Pascal Pa
EYNGL750	750w	220/380	50	2800	1810	790

Modello	Potenza Kw	Dimensioni della flangia in uscita aria				Dimensioni della flangia in entrata aria			
		Ø1	Ø2	Ø3	ØA*n	Ø4	Ø5	Ø6	ØB*n
EYNGL750	0,75	140	180	198	Ø7*6	210	248	262	Ø7*8

Modello	Potenza Kw	Misure della chiocciola										Misure della sedia (optional)						
		C1	C2	L1	L2	L3	L	M	N	E	F	JM	JN	JH	JL	JC	JF	JE
EYNGL750	0,75	90	112	265	125	46	440	394	355	134	155	150	180	210	240	154	230	175

Optional

• INSTALLATION DIMENSION



PRODUCT ADVANTAGES



01.The design of round outlet makes installation more convenient and efficiency higher.

02.Integrated inlet, high strength and not easy to deform.



03.Impeller galvanized plate material, temperature and corrosion resistance, scientific design, lower noise.



04.Cast aluminum wind shell, low noise, corrosion resistance, scientific design more efficient.



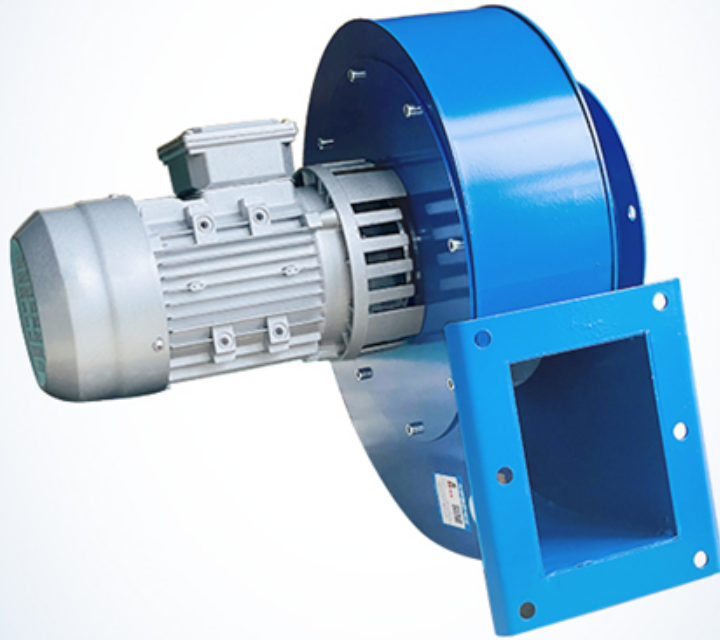
05.High temperature cooling design of motor, supporting high temperature bearing,F class temperature resistance.

06.Motor plate molding design, high efficiency and low noise, but also improve the strength.



HIGH TEMPERATURE BOILER INDUCED DRAFT FAN

Specialized in the production of high-temperature resistance blower.



ADVANTAGE



LOW NOISE



CONSISTENT WIND SPEED



ECO-FRIENDLY



LOW-ENERGY



HIGH TEMPERATURE RESISTENT



COPPER MOTOR

LARGE DIAMETER AIR OUTLET

High wind pressure, strong wind, fast wind

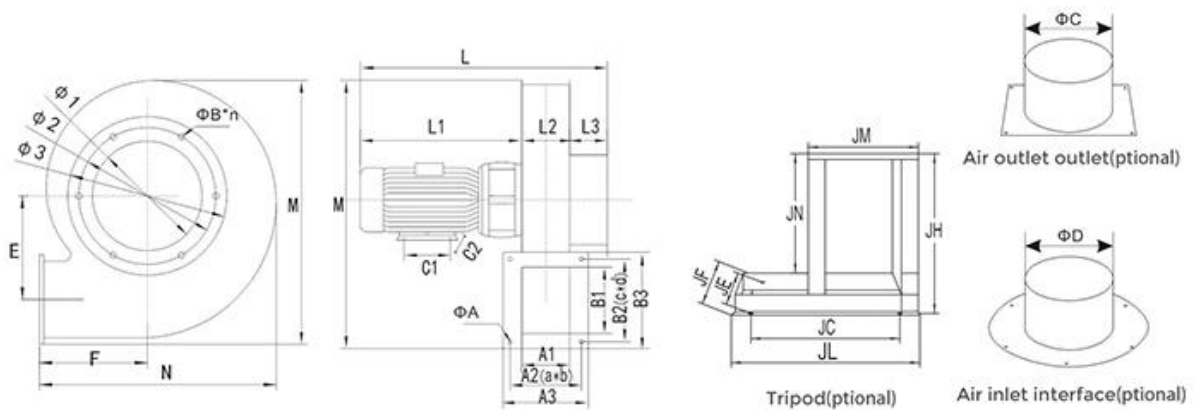


Modello	Potenza Kw	Volt V	Frequenza Hz	Velocita r/min	Portata d'aria mc/h	Prevalenza Pascal Pa
EYN5-47-2.2KW	2,2	220/380	50	2800	3100	1280

Modello	Potenza Kw	Misure della chiocciola								Misure della sedia (optional)				Flange ing. Usc	
		A1	A2	A3	Øa*b	B1	B2	B3	Øc*d	Ø1	Ø2	Ø3	ØB*n	ØC Ingresso	ØD Uscita
EYN5-47-2.2KW	2.2	130	161	206	1*161	206	246	272	2*123	186	230	254	Ø11*6	190	190

Modello	Potenza Kw	Misure della chiocciola										Misure della sedia (optional)						
		C1	C2	L1	L2	L3	L	M	N	E	F	JM	JN	JH	JL	JC	JF	JE
EYN5-47-2.2KW	2.2	125	140	345	135	45	525	549	478	186	222	190	215	241	280	193	253	195

● INSTALLATION DIMENSION



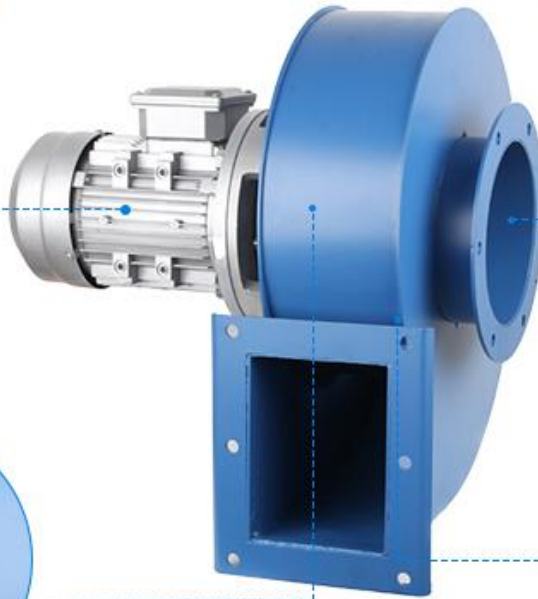
PRODUCT ADVANTAGES



International Y2 aluminum alloy motor, strong power, rotate 2800 times per minute.



Air inlet integrated molding, high intensity laser cutting, high installation accuracy.



The air shell and fan bracket are made of thickened steel plate material with good strength and beautiful appearance.



The blade adopts advanced dynamic design, low noise, high efficiency and strong suction.



ETC Group S.r.l

Zona industriale Pirano Tavullia
Strada Delle Campagne 10
61010 Tavullia PU

Partita Iva e Codice fiscale IT04083110405

Coordinate satellitari 43°55'03.6"N 12°44'13.3"E

Tel. +3907211839937 +390541955062 +3905411646150 Cel. +393737755779 Fax
+3905411641257

mail: etcgroupsrl.info@gmail.com etc47842@gmail.com informazioni.eco@gmail.com

www.etcgroupsrl.it



ETC Group S.r.l

주소 : 서울시 서초구 논현로31길 56 JCS빌딩 | 대표 : 정범석 | 사업자등록번호 : 113-86-49808 | 전화번호
: 02-322-1308~9 | 팩스 : 02-322-1337

<http://etcgroupkorea.com>



MADE IN ITALY